



Cat[®] 226B Series 3

SKID STEER LOADER

FEATURES:

The Cat[®] 226B Series 3 Skid Steer Loader, with its radial lift design, delivers excellent digging performance with outstanding drawbar power. The 226B Series 3 features the following:

- **Ergonomic operator station** features easy to use pilot operated joystick controls for reduced operator fatigue and increased productivity.
- **High performance power train** provides high engine horsepower and torque, allowing part-throttle operation for lower sound levels and fuel consumption.
- **Advanced hydraulic system** is designed for maximum power and reliability.
- **Optional high flow system** provides increased auxiliary hydraulic performance with 104 L/min (27 gal/min) of flow for applications that demand increased work tool performance.
- **Easy routine maintenance** helps reduce machine downtime for greater productivity.
- **Broad range of performance matched Cat[®] Work Tools** make the Cat Skid Steer Loader the most versatile machine on the jobsite.

Specifications

Engine

Engine Model	Cat [®] C2.2 T	
Gross Power SAE J1995	45.5 kW	61 hp
Net Power SAE 1349/ISO 9249	42 kW	56 hp
Displacement	2.2 L	134 in ³
Stroke	100 mm	3.9 in
Bore	84 mm	3.3 in

Weights*

Operating Weight	2641 kg	5,822 lb
------------------	---------	----------

Power Train

Travel Speed (Forward or Reverse)	12.7 km/h	7.9 mph
-----------------------------------	-----------	---------

Hydraulic System

Hydraulic Flow – Standard:		
Loader Hydraulic Pressure	23 000 kPa	3,335 psi
Loader Hydraulic Flow	61 L/min	16 gal/min
Hydraulic Power (calculated)	23.2 kW	31.1 hp
Hydraulic Flow – High Flow:		
Max. Loader Hydraulic Pressure	23 000 kPa	3,335 psi
Max. Loader Hydraulic Flow	104 L/min	27 gal/min
Hydraulic Power (calculated)	37.7 kW	50.6 hp

Operating Specifications*

Rated Operating Capacity	680 kg	1,500 lb
Rated Operating Capacity with Optional Counterweight	726 kg	1,600 lb
Tipping Load	1360 kg	3,000 lb
Breakout Force, Tilt Cylinder	1852 kg	4,083 lb

Cab

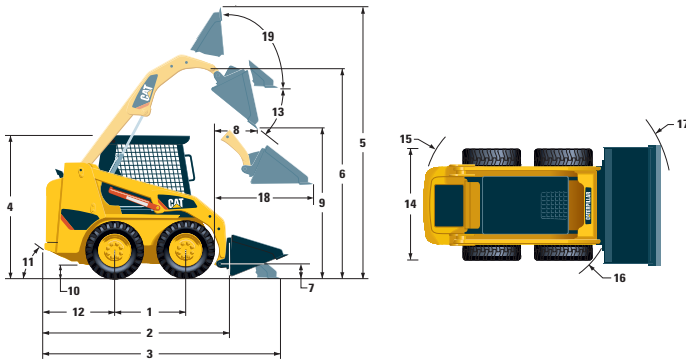
ROPS	SAE J1040 MAY94, ISO 3471:1994
FOPS	SAE J/ISO 3449 APR98 Level I, ISO 3449:1992 Level I
FOPS Level II	SAE J/ISO 3449 APR98 Level II, ISO 3449:1992 Level II (optional)

Service Refill Capacities

Chain Box, each side	6 L	1.6 gal
Cooling System	10 L	2.6 gal
Engine Crankcase	10 L	2.6 gal
Fuel Tank	58 L	15.4 gal
Hydraulic System	55 L	14.5 gal
Hydraulic Tank	35 L	9.2 gal

* Operating Weight, Operating Specifications and Dimensions all based on 75 kg (165 lb) operator, all fluids, OROPS, 1524 mm (60 in) dirt bucket, standard flow auxiliaries, Cat 10x16.5 tires, no optional counterweights and manual quick coupler (unless otherwise noted).

226B Series 3 Skid Steer Loader



Dimensions*

1 Wheelbase	986 mm	39 in
2 Length w/o Bucket	2519 mm	99 in
3 Length w/Bucket on Ground	3233 mm	127 in
4 Height to Top of Cab	1950 mm	77 in
5 Maximum Overall Height	3709 mm	146 in
6 Bucket Pin Height at Maximum Lift	2854 mm	112 in
7 Bucket Pin Height at Carry Position	200 mm	8 in
8 Reach at Maximum Lift and Dump	505 mm	20 in
9 Clearance at Maximum Lift and Dump	2169 mm	85.4 in
10 Ground Clearance	195 mm	8 in
11 Departure Angle	26°	
12 Bumper Overhang Behind Rear Axle	967 mm	38 in
13 Maximum Dump Angle	40°	
14 Vehicle Width over Tires	1525 mm	60 in
15 Turning Radius from Center – Machine Rear	1502 mm	59 in
16 Turning Radius from Center – Coupler	1195 mm	47 in
17 Turning Radius from Center – Bucket	1944 mm	77 in
18 Maximum Reach w/Arms Parallel to Ground	1291 mm	51 in
19 Rack Back Angle at Maximum Height	81°	

MANDATORY EQUIPMENT

- Hydraulics, Standard or High Flow
- Quick Coupler, Mechanical or Hydraulic
- Seat Belt, 50 mm (2 in) or 75 mm (3 in)
- EU Preparation Package (includes Demand Fan) (Europe only)

COMFORT PACKAGE (must select one of the following)

- Open ROPS (C0): *Static Seat*
- Open ROPS (C1): *Suspension Seat, Deluxe Headliner*
- Enclosed ROPS (C2): *C1 + Heater, Cab Door, Side Windows, Cup Holder, Cab Debris Barrier*
- Enclosed ROPS (C3): *C2 + Air Conditioner*

CONTROL PACKAGE (must select one of the following)

- Control Package 1: *On/Off Auxiliary Hydraulics Basic*
- Control Package 2: *Proportional Auxiliary Hydraulics Deluxe*
- Control Package 3: *Proportional Auxiliary Hydraulics Deluxe, Work Tool Harness*
- Control Package 4: *High Flow Hydraulics*

STANDARD EQUIPMENT

ELECTRICAL

- 12 volt Electrical System
- 85 ampere Alternator
- Automatic Glow Plug Activation
- Ignition Key Start/Stop Switch
- Lights: *Gauge Backlighting, Two Rear Tail Lights, Two Adjustable Front and Rear Halogen Lights, Dome Light*

OPERATOR ENVIRONMENT

- Gauges: *Fuel Level, Hour Meter*
- Operator Warning System Indicators: *Air Filter Restriction, Alternator Output, Armrest Raised/Operator Out of Seat, Engine Coolant Temperature, Engine Oil Pressure, Glow Plug Activation, Hydraulic Filter Restriction, Hydraulic Oil Temperature, Parking Brake Engaged*
- Vinyl Seat
- Pull Down Ergonomic Contoured Armrest
- Control Interlock System, when operator leaves seat or armrest raised: *Hydraulic System Disables, Hydrostatic Transmission Disables, Parking Brake Engages*
- ROPS Cab, Open, Tilt Up
- FOPS, Level I
- Top and Rear Windows
- Floor Mat
- Interior Rear View Mirror
- 12 volt Electric Socket
- Backup Alarm
- Horn

POWER TRAIN

- Cat® C2.2 T Tier 4 Interim/Stage IIIA Compliant Diesel Engine
- Air Cleaner, Dual Element, Radial Seal
- S-O-SSM Sampling Valve, Hydraulic Oil
- Filters: Spin on, Hydraulic
- Filters: Bayonet-type, Fuel and Water Separator
- Tilt Up Radiator/Hydraulic Oil Cooler
- Muffler, Standard
- Spring Applied, Hydraulically Released Parking Brakes
- Hydrostatic Transmission
- Four Wheel Chain Drive

OTHER

- Engine Enclosure, Lockable
- Extended Life Antifreeze, -36° C (-33° F)
- Machine Tie Down Points (4)
- Support, Lift Arm
- Hydraulic Oil Level Sight Gauge
- Radiator Coolant Level Sight Gauge
- Radiator, Expansion Bottle
- Cat® ToughGuard™ Hose
- Auxiliary, Hydraulics, Continuous Flow
- Heavy Duty, Flat Faced Quick Disconnects
- Split D-Ring to Route Work Tool Hoses Along Side of Left Lift Arm
- Electrical Outlet, Beacon
- Belly Pan Cleanout

OPTIONAL ATTACHMENTS

- Counterweight, increases rated operating capacity 45 kg (100 lb)
- Variable Speed Demand Fan
- Beacon, Rotating
- Engine Block Heater – 120V or 240V
- Oil, Hydraulic, Cold Operation
- Paint, Custom
- Heavy Duty Battery, 880 CCA

For more complete information on Cat products, dealer services, and industry solutions, visit us on the web at www.cat.com

AEHQ6104 (5-10)

© 2010 Caterpillar
All Rights Reserved
Printed in U.S.A.

Materials and specifications are subject to change without notice. Featured machines in photos may include additional equipment. See your Caterpillar dealer for available options.

CAT, CATERPILLAR, SAFETY.CAT.COM, their respective logos, "Caterpillar Yellow" and the "Power Edge" trade dress, as well as corporate and product identity used herein, are trademarks of Caterpillar and may not be used without permission.

CATERPILLAR®